



## Applications

- Remote, wireless inclination measurement
- Pre-flight calibration on aircraft flaps/ailerons
- Level measurement on floating pontoons
- Tarmac level measurement
- Roadbed analysis
- Goods level control when lifting (crane operation)
- Rail-car mobile monitoring
- Wind turbines
- Bridges and dams

# WTS Series

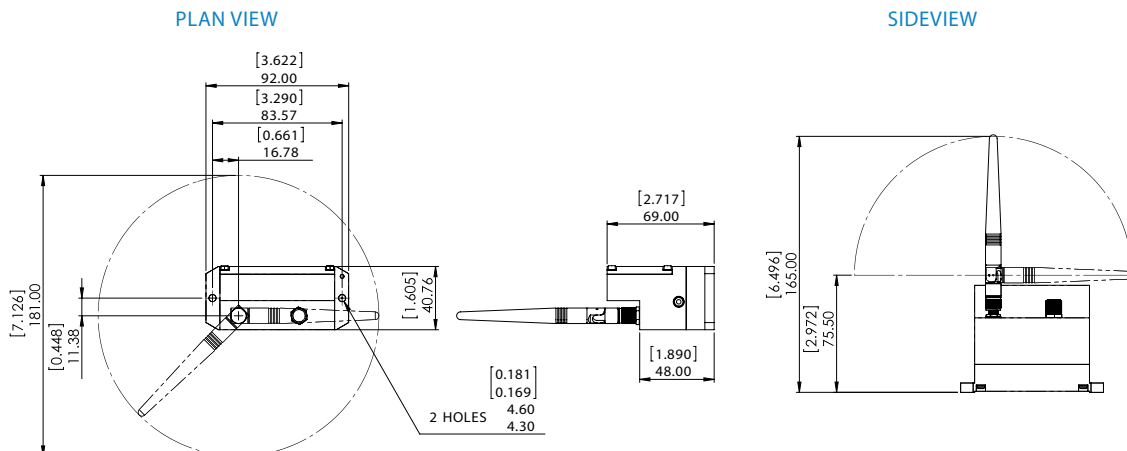
## All-weather radio telemetry Inclinometer system

### Features

- Advanced MEMS inclinometer design for ultra-reliability and performance
- Distortion free digital 2 way radio system for data integrity
- Worldwide licence exempt 2.4 GHz radio
- Remote power on/of (sleep/wake)
- 100 metre (328 feet) range
- Rechargeable or alkaline battery options
- Stainless Steel sealed construction for all-weather use

### Benefits

- Wireless data transmission
- Very low power consumption for long battery life
- Various Read-out options available. PC or handheld device
- Manufactured to AS9100 and ISO9001:2015 standards



# Specifications

## Specifications by Range @20°C

		±5°	±15°	±30°	±60°
Deviation from True Angle	Degrees	0.02	0.03	0.05	0.35
Resolution	Degrees	0.003	0.003	0.004	0.006
-3dB Frequency	Hz			5	
Internal Resolution	Bits			24	
Zero Offset	Degrees (max)			±0.02	
Thermal Zero-shift	%FSO/°C			±0.007	
Thermal Sensitivity Shift	%Reading/°C			±0.007	
Data Format				Degrees	
Warm-up Time	Seconds (to 99.9% of final value)			< 5	

## General Radio

Licence		Licence Exempt
Modulation method		MS (QPSK)
Radio type		Transceiver (2way)
Data rate	kbits/sec	250
Radio Frequency	GHz	2.4000(min) to 2.4835(max)
Power	mw	1
Range (see note 1)	Metres (feet) (max)	100 (328)
Channels (DSSS)		16

## Battery Life in Low Power Mode Generating Results at 3Hz

### Usage

### Typical Battery Life

2 x AA Alkaline cells	Constantly <b>ON</b>	25 Hours
2 x AA Alkaline cells	3 sessions per day of 5 minutes	100 Days
Rechargeable Li-Ion Pack	Constantly <b>ON</b>	45 Hours
Rechargeable Li-Ion Pack	3 sessions per day of 5 minutes	180 Days

## Environmental Characteristics

Operating Temperature Range	°C	-20 to 60
Storage Temperature Range	°C	-20 to 85
Humidity	%RH(min)	95
Shock Survival		1000g, 0.5msec, ½ sine
Vibration Endurance		20g rms, 20Hz to 2000Hz sinusoidal
Environmental Sealing		IP67/ NEMA6

## Notes

1. Typical range achieved in open field site with WTS at height of 1 metre (3 feet) above ground and handheld display held at chest height pointing towards the WTS.

## Model Designation & Ordering Code

