

SS5000 Series

Miniature High Output
Tension Load Cell

Description

The SS5000 series are miniature, strain gauge based tension load cells with integral amplification providing a high level signal. They are machined from stainless steel and have unusually high resistance to overload, shock and corrosion. The transducer is fully compensated for the effects of temperature on the zero output and sensitivity and employs precision transducer quality bonded strain gauges as the primary transduction element. The load cell is fitted with an integral multi-conductor cable.



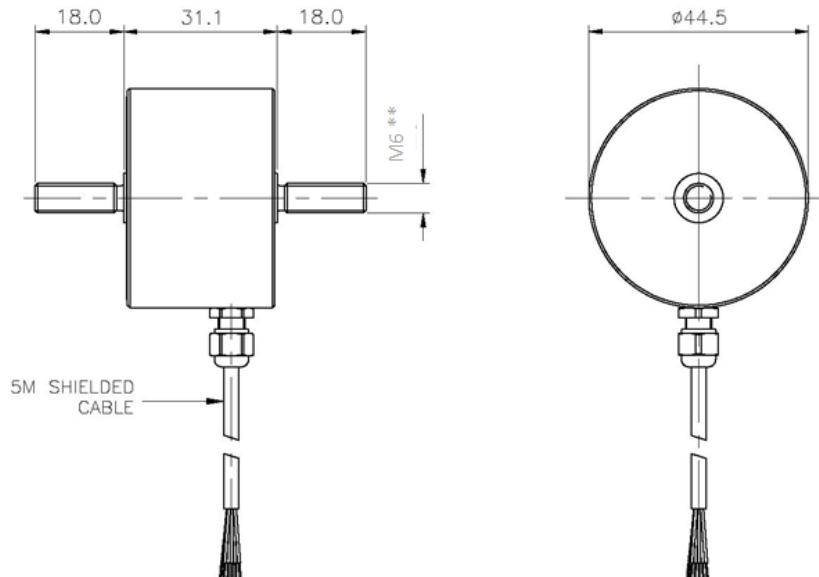
Specifications

Type Number	SS5000				
Operational Mode	Tension				
Recommended Excitation Voltage	VDC	±15			
Minimum Excitation Voltage	VDC	± 13			
Operating Current	mA	22			
Output Load	Ohms (min)	5000			
Full scale load	250	500	1000	2000	N
Maximum load without damage	375	750	1500	3000	N
Full scale output	0 to 10 ±2%				Volts
Non-Linearity	±0.30	±0.25	±0.25	±0.25	± % Full Scale
Non-Repeatability	±0.01				± % Full Scale
Hysteresis	±0.05				± % Full Scale
Zero balance	±0.30	±0.15			Volts
Frequency Response	100				Hz min
Environmental					
Operating temperature range	-25 to +75				°C
Compensated temperature range	-40 to +85				°C
Environmental protection level	IEC529				IP65
Thermal Zero Shift	0.02				± % Full Scale/°C (max)
Thermal Sensitivity Shift	0.02				± % Reading/°C (max)
Emissions	BS EN 55011:1998				
Immunity	BS EN 61000-4-2:1995 IEC 6100-4-2:1995				
	BS EN 61000-4-3:2002				
	BS EN 61000-4-4:2004				
	BS EN 61000-4-11:2004				
Miscellaneous					
Electrical connection	5 metre integral cable Red Supply +ve Blue Supply -ve Green O/Put Tension +ve Yellow Common 0v				
Documentation	Individual calibration data sheet				
Dimensions	See Drawing A3/OL/22283				

SS5000 Series

Miniature High Output
Tension Load Cell

Outline Dimensions:



****NOTE: SS5000-2000N utilizes an M8 thread**

Ordering Information: Order by Part No and range: SS5000-500N